

SIMU **DRY**
Transseptal

**ULTRA PORTABLE
HEART SIMULATOR
FOR TRANSEPTAL
PUNCTURE**

BASIC SKILLS TARGETED TRAINING

The simuDRY platform simulators
are static and ultra portable

FOCUS

- Transseptal kit and puncture location

LEARN

- Basic anatomical references
- Fossa ovalis approaches
- Basic procedural steps
- Spatial interaction with the fossa and surrounding anatomies
- Targeted punctures for different therapies
- Specific delivery system steering capability towards the Mitral valve in different puncture scenarios

RIGID STRUCTURES

Replicated geometry of

- Right atrium
- Mitral annulus
- Mitral valve
- Inferior vena cava

Landmark representing

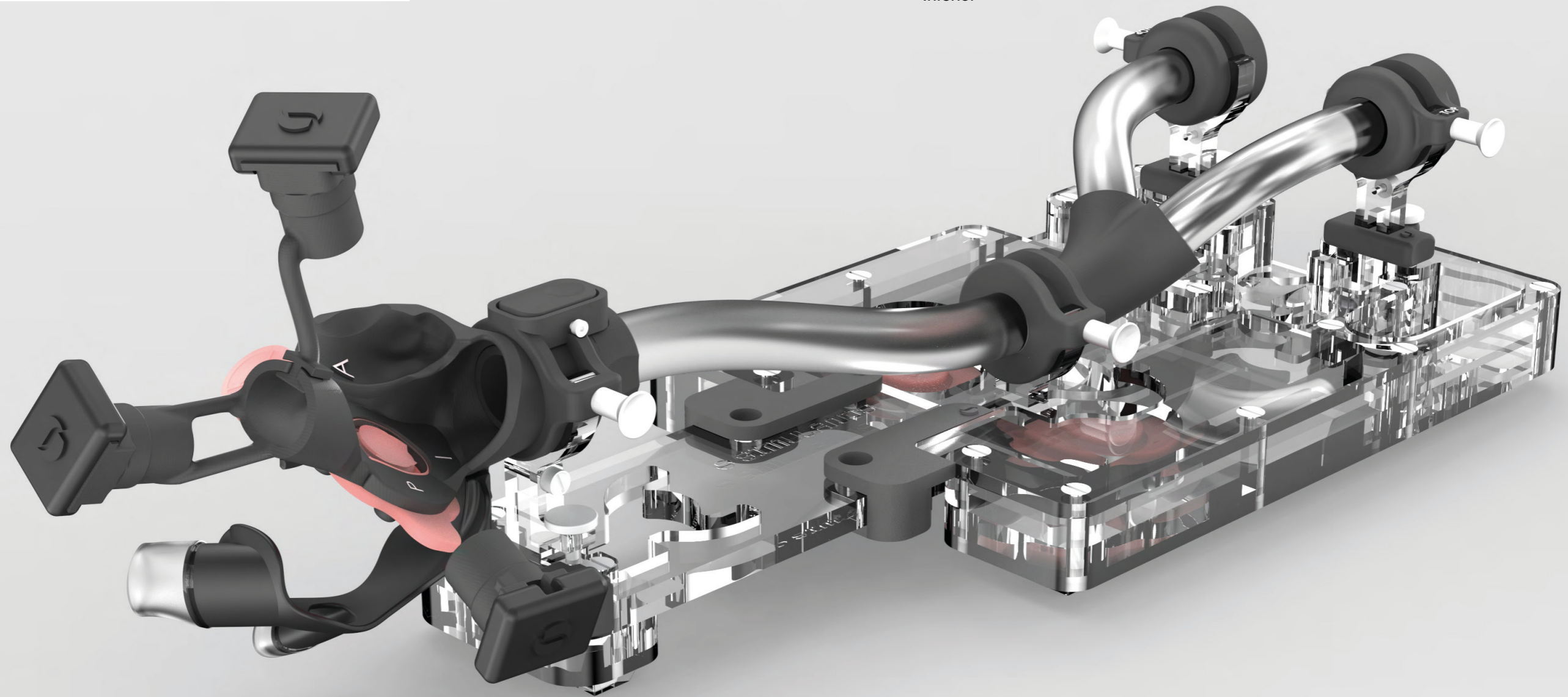
- Aortic valve

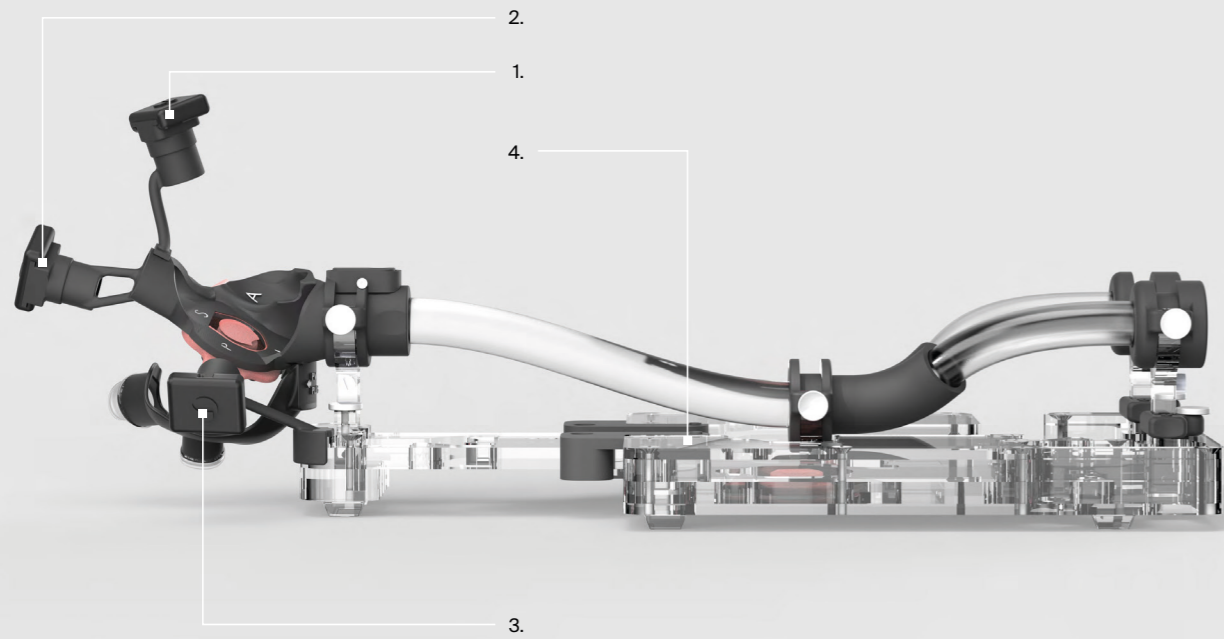
SOFT STRUCTURES

- Fossa ovalis

NAVIGATION HIGHLIGHTS

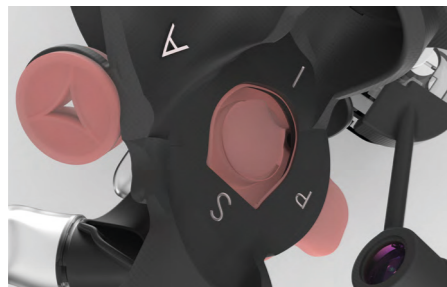
- Anterior
- Posterior
- Superior
- Inferior





REAL IMAGING CAMERA VIEWS

Replicating the implanter's view through two video cameras, positioned to capture the following echo views to guide the transeptal procedure.



1. Short Axis



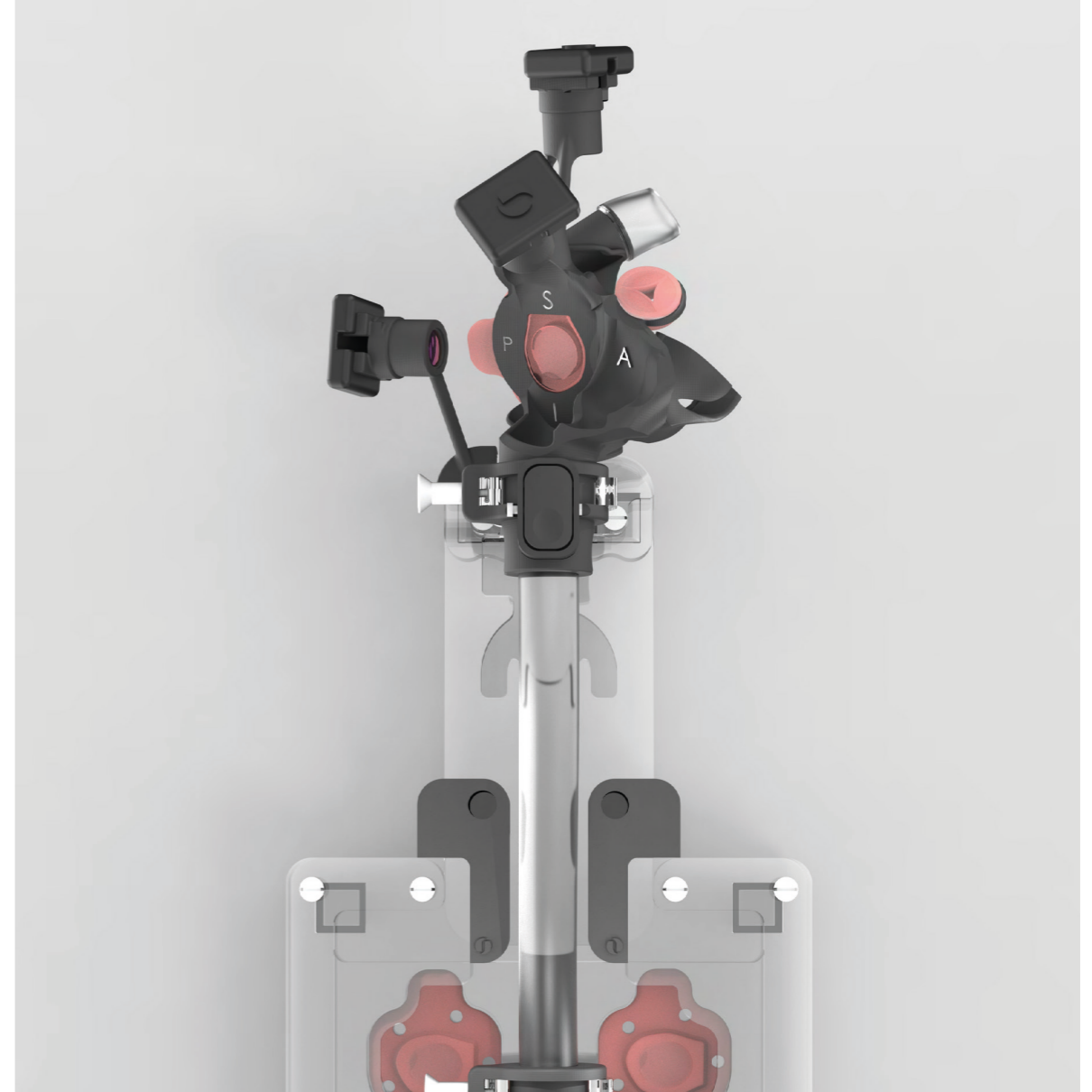
2. 3D En-Face



3. Bicaval



4. Four Chamber



HUMAN GRADE PLATFORM

MODULAR ANATOMICAL SYSTEM

Combination of soft fossa ovalis structure, basic anatomical references and realistic angles. Based on real patients CT, and 3D echo datasets.

SIMULATOR COMPONENTS

Promotes understanding of 3D anatomy from 2D displays with integrated video-camera systems and fine hand-eye coordination.

TWO PATIENT SCENARIOS

Basic - Regular patient geometry.
Advanced - Challenging septum access.

TECHNICAL FEATURES

IMAGING CAPABILITIES

Direct vision.
Four video cameras.
1x tablet with dedicated simuAPP for visualization, recording and remote training.
Fluoro compatible.

IN THE BAG

All fits into: laptop bag
Total weight: 2kg
Dimensions: 30x20x8cm

PLUG AND PLAY

No tools required - full system setup in 2 minutes and ready for your device.



JOIN THE SIMULANDS REVOLUTION

Our simulator components replicate the characteristics of the human anatomy. The simulators are engineered to reproduce real life haptic interaction of the medical devices within the targeted anatomy, representing true anatomical geometries and trajectories. All of our simulators can be used under real echo and fluroscopic guidance.

SHIFTING THE PARADIGM

From Patient and Animal testing to platforms for R&D and comprehensive Hands-On procedural training using:

Real Devices

Real Imaging

For the Real Heart Team

SIMULANDS systems designed and validated according to **all relevant ISO normative** requirements of clinical and technical equivalence to the human cardiovascular systems.

Our simulators are used for **human factor testing**, usability and ergonomics and meet required benchmarks of various competent authorities, ethics committees and notified bodies (CE, FDA, MDR).

Manufacturer:

SIMULANDS Ltd

Schaffhauserstrasse 611
8052 Zürich
Switzerland

DMISB0822

Distribution:

MedThron LLC

Sharjah Media City (Shams)
United Arab Emirates

Get in touch with us

+971 52 969 6820

+966 56 285 2013

contact@medthron.com

Find out more on
medthron.com



MEDTHRON